

ACM

MEET ME AT ACM

Suitable for ages 9 to 12



MEET THE BIRD

Birds fly in and out of the branches amidst leaves and flowers on the doors of this shrine. One bird often used in Christian art is the dove. It features in stories from the Christian Bible and represents peace and purity.

ARTY FACTS

SHRINE WITH PAINTING OF HOLY FAMILY AND JOHN THE BAPTIST

Japan, 17th century

Shrine: lacquer and gold on wood, mother-of-pearl, metal mounts; painting: oil on copper

Birds, trees, and flowers decorate the inside and outside of this wooden box. It was made with Asian materials and techniques, including Japanese lacquer and mother-of-pearl inlays. Lacquered furniture and smaller objects like this were valuable Japanese products exported to Europe and other parts of Asia.

When opened, it is revealed to be a Christian shrine. Inside there is a painting of the Christian Holy Family. Mary and Joseph look down at their son, the sleeping Christ Child, as the young John the Baptist watches over him on the right. This shrine was likely used for private worship at home.

Christian art and Japanese craftsmanship combine here to make a fine example of cross-cultural art.

Produced by the Asian Civilisations Museum
1 Empress Place Singapore 179555
www.acm.org.sg
© 2021 Asian Civilisations Museum

SPY WITH YOUR LITTLE EYE

Birds flying through the trees on the doors of this shrine, which you can find in the Christian Art Gallery.



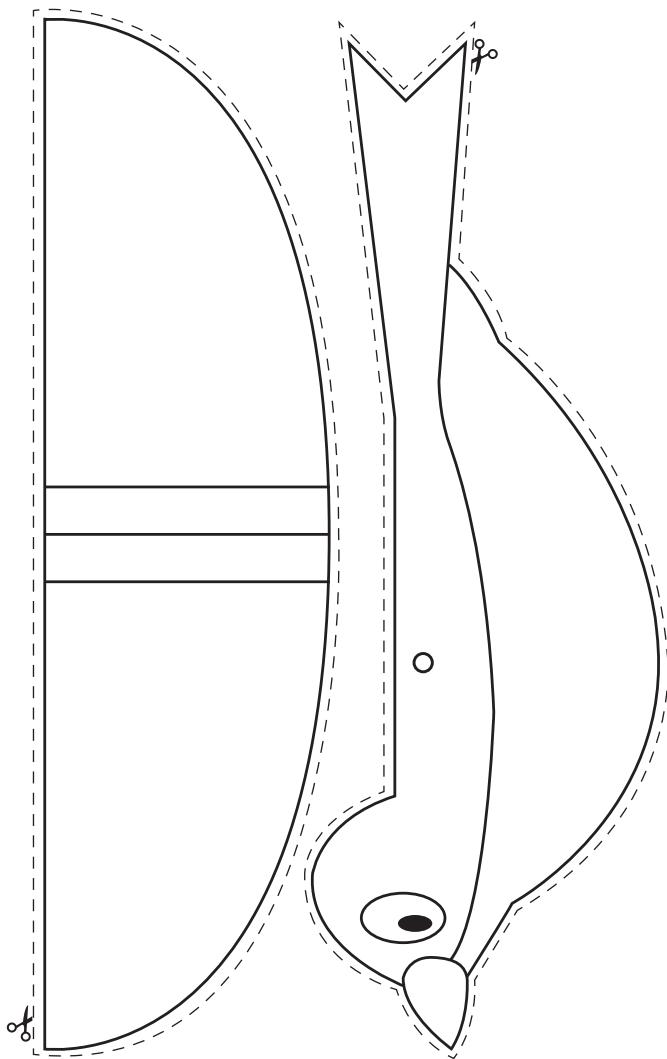
Through these activities, your child/student will learn to:

- Generate and express ideas through language and art
- Apply skills of scientific observation and investigation

LOOK closely at the painting in this shrine. Make some observations about the people and details in the painting.

IMAGINE that the figures in the scene are talking to one another. What do you think they would say?

DESCRIBE the patterns and symbols you would use to decorate the doors of this shrine if you were the artist. **EXPLAIN** why you chose them.



CREATE a flying bird decoration by following the instructions below. **RESEARCH** how flapping wings enable a bird to fly! If you have a public account, don't forget to tag us @ACM_SG.

Step One: Cut out the bird and wings templates below. Decorate the wings, or maybe write a message to a loved one.

Step Two: Fold wings in the middle, along the lines.

Step Three: Glue or tape the wings onto the back of the bird.

Step Four: Fasten a piece of string to the body of the bird. Pull the string up and down to make the bird flap its wings.

